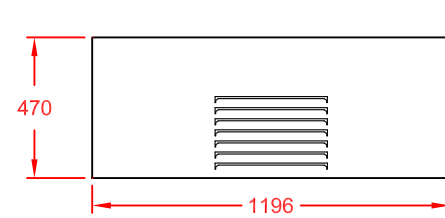
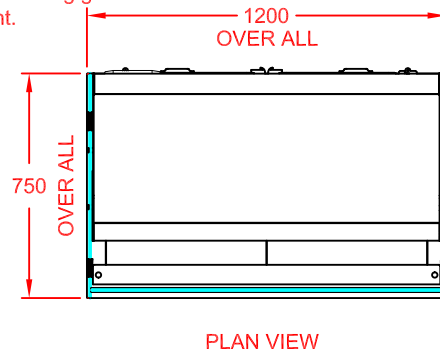
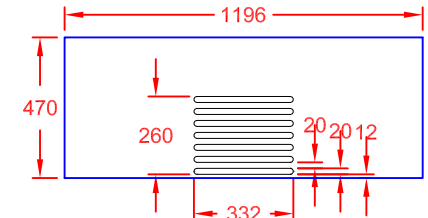


Ventilation / Display Performance Considerations

- 1) Area in which display is to be sited must have a minimum room volume no less than 122 cu m.
- 2) Install over a sealed floor or ventilated floor void.
- 3) Do not site the display within 2m of ceiling mounted air conditioning grilles.
- 4) Do not site the display beneath a high level of direct sunlight.
- 5) Display will operate in a 24 hour environment.

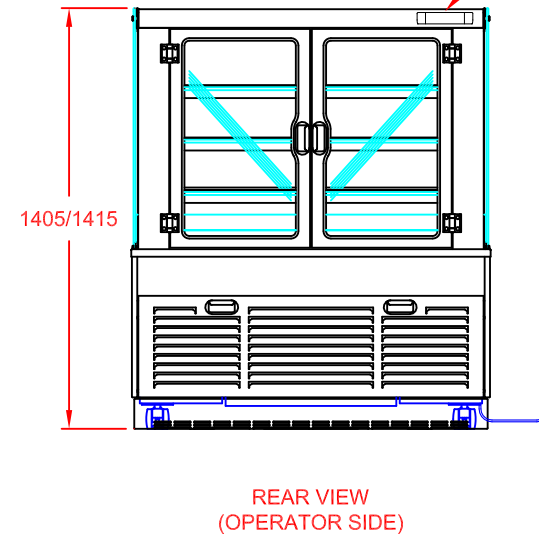
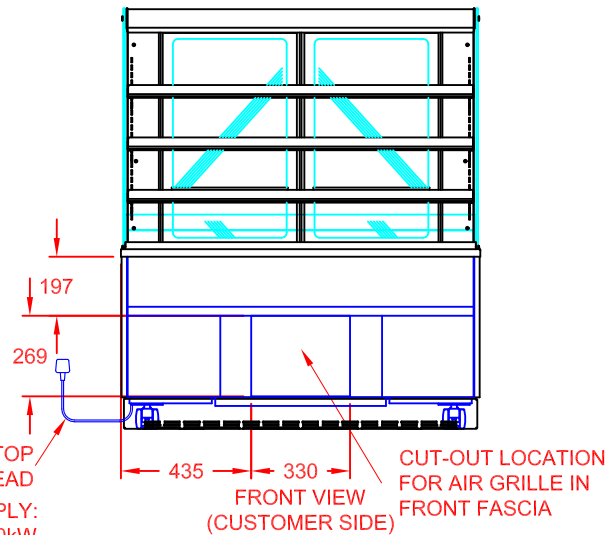
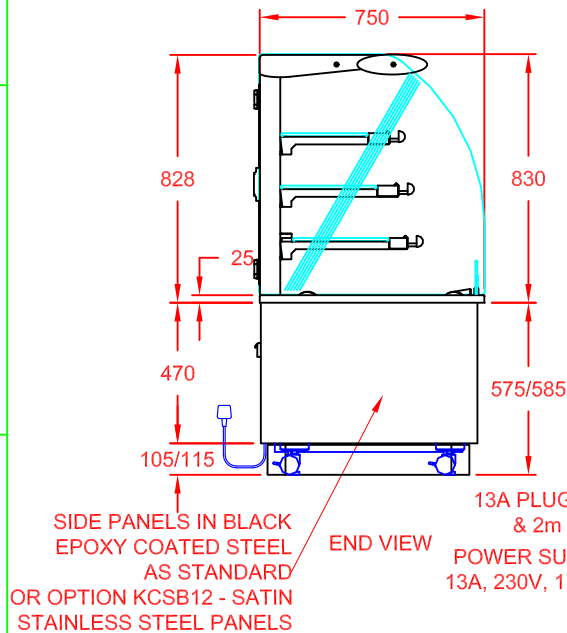


OPTIONAL FRONT FASCIA PANELS  
KCBF12 - BLACK EPOXY COATED STEEL  
KCSF12 - SATIN STAINLESS STEEL  
FOR FREE STANDING MODELS



SUGGESTED REMOVABLE  
FASCIA PANEL &  
CUT OUT DETAIL  
(BY OTHERS)

GANTRY MOUNTED DIGITAL  
CONTROL PANEL



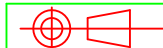
APPROX. UN-CRATED  
WEIGHT OF UNIT: 240Kg



CED FABRICATIONS LTD  
UNITS A1-A4, FALCON COURT  
CLAYTON BUSINESS PARK  
CLAYTON-LE-MOORS  
HYNDBURN  
LANCASHIRE BB5 5JD

This drawing and information herein is confidential to CED Fabrications Ltd. It is issued in confidence that it will not be disclosed to any third party in part or in whole without permission from CED FABRICATIONS Ltd.

© CED FABRICATIONS LTD



**DESCRIPTION:**

DESIGNLINE PATISSERIE  
1200mm SELF HELP COLD - REAR DOORS  
HYDROCARBON TYPE-R290 REFRIGERANT

SCALE: 1 : 25 @ A4

REV No: -

PRODUCT  
CODE:

PC 12HT