

# Pizza Prep Counters GR Series

Preparation



## Features

- Marble Top
- Side mounted compressor units
- High Grade Stainless Steel Construction Interior and Exterior
- Hydrocarbon Gas – R290hc / R600a
- Heavy duty Embraco compressor
- Self-closing and stay open door
- Recessed door handle
- Magnetic door gaskets
- Pre-installed castors
- Pre-installed shelves
- Good for all the harshest environments
- Casters as standard
- Designed to accommodate bakery trays
- Climate Class 5 product

## Product Code

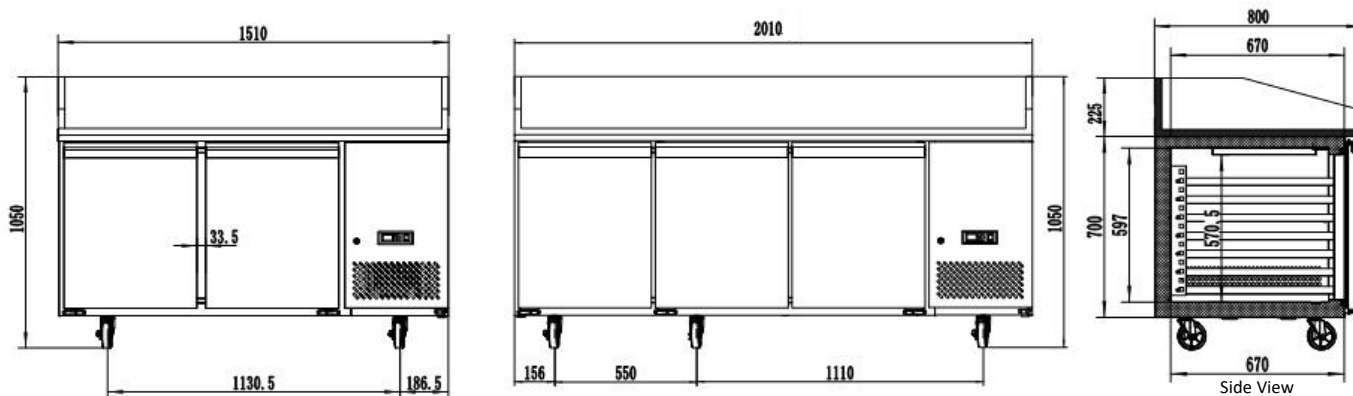
EPF3490GR	Pizza Counter 1 Door + 7 ambient drawers
EPF3490GR+ VRX1500/330	Pizza Counter 1 Door + 7 ambient drawers with 1500mm VRX unit & GN Pans 100mm
EPF3495GR	Pizza Counter 2 Doors
EPF3495GR+ VRX1500/330	Pizza Counter 2 Doors with 1500mm VRX unit & GN Pans 100mm
EPF3480GR	Pizza Counter 2 Doors + 7 ambient drawers
EPF380GR+ VRX2000/330	Pizza Counter 2 Doors +7 ambient drawers with 2000mm VRX unit & GN Pans 100mm
EPF3485GR	Pizza Counter 3 Doors
EPF3485GR+ VRX2000/330	Pizza Counter 3 Doors with 2000mm VRX unit & GN Pans 100mm

## Optional Extras



Code	Description
W0402625	Shelf

# Pizza Prep Counters GR Series



Model	EPF3490GR	EPF3495GR	EPF3480GR	EPF3485GR
Exterior Dimension (WxDxH) mm	1510 x 800 x 1050	1510 x 800 x 1050	2010 x 800 x 1050	2010 x 800 x 1050
Interior Dimension (WxDxH) mm	980x670x570	980x670x570	1480 x 670 x 570	1480 x 670 x 570
Packing Dimension (WxDxH) mm	1560 x 850 x 1140	1560 x 850 x 1140	2060 x 850 x 1140	2060 x 850 x 1140
Shelf Dimensions mm	NA	NA	NA	NA
Shelf Quantity	NA	NA	NA	NA
Shelf Loading Capacity (Kg Pc)	NA	NA	NA	NA
Capacity (Litre)	125	250	250	375
Net Weight (Kgs)	246	209	300	267
Gross Weight (Kgs)	292	255	377	344
Voltage	220/50/1	220/50/1	220/50/1	220/50/1
Power (Watts)	250	250	250	400
Electrical Current (Amps)	1.5	1.5	1.5	1.9
KWh/annum	438	510	510	823
Energy Efficiency Class	A	A	A	A
Climate Class	5	5	5	5
Defrost Method	Air Defrost	Air Defrost	Air Defrost	Air Defrost
Refrigerant Type / Amount	R600 / 120g	R600 / 120g	R600 / 120g	R290 / 130g
Cooling Method	Ventilated	Ventilated	Ventilated	Ventilated
Inner Temperature (°C)	+2°C to +8°C	+2°C to +8°C	+2°C to +8°C	+2°C to +8°C
Insulation	Polyurethane foam	Polyurethane foam	Polyurethane foam	Polyurethane foam
Foaming Material	C5H10	C5H10	C5H10	C5H10
Castors	4 (2 Braked on front)	4 (2 Braked on front)	8 (4 Braked on front)	8 (4 Braked on front)
Material External / Internal	S/S Int + Ext	S/S Int + Ext	S/S Int + Ext	S/S Int + Ext
Lighting	No	No	No	No
Door lock	No	No	No	No

Preparation