

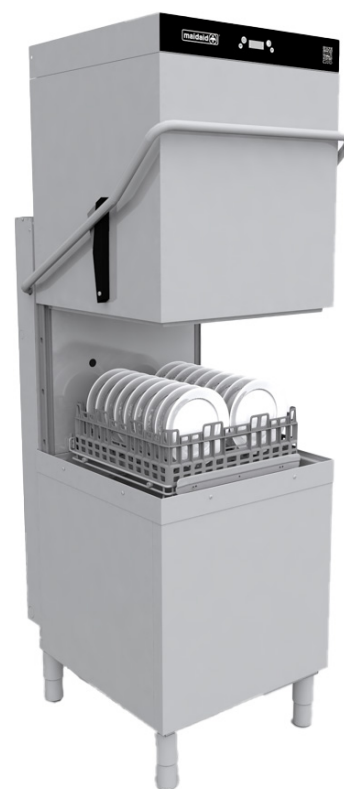
# C201 D 6.5kW 30Amp



**Buttress Group Ltd.**  
Top Station Road, Brackley,  
Northants NN13 7UG, UK



↗	Overall dimensions (W x D x H)	mm	633 x 750 x 1560* (2060) <sup>†</sup>
	Packaging dimensions (W x D x H)	mm	760 x 840 x 1600
	Gross weight	Kg	99
	Net weight	Kg	89
	Cubic volume	m <sup>3</sup>	0.98
☒	Rack size	mm	500 x 500
	Door opening	mm	470
	Max useable height	mm	450
	Rack guide rails		inox-side wings in composite
	Hood construction		single skin
🔥	Tank construction		moulded
	Tank volume	L	20
	Tank heating element	kW	3.0
	Surface scrap trays		composite (2mm mesh)
	Wash arms		parallel (quick release)
🔧	Wash pump type		dual flow
	Wash pump power	kW	0.5
	Wash temperature	°C	55 - 60 (adjustable)
	Boiler type		open
🔥	Boiler volume	L	7.0
	Breaktank		yes
	Boiler heating element	kW	6.0
🔧	Rinse booster pump		yes
	Rinse booster pump power	kW	0.15
	Rinse temperature	°C	70 - 82 (adjustable)
	Rinse arms		parallel (quick release)
🚰	Drain system		partial drain
	Drain filter		triple filter
	Drain pump		yes
💧	Rinse aid dispenser	peristaltic	yes
	Detergent dispenser	peristaltic	yes
🍷	Water consumption per cycle	L	1.5 - 2.0
	Inlet water pressure	bar	0.5 - 6.0
	Fast program (GLS1)	sec	75
	Total programs	programs	9
	Total power	kW	6.5
⚡	Electric connection	V-Ph-Hz	230-240V 1N 50Hz
	Alternative		230-240V 1N 4.5kW 20A
🔌	Fuse	A	30
	Water softener		no



## Supplied with

Flat rack	1
Plate rack	1
Cutlery rack	1
Electric cable	1
Drain hose	1
Fill hose	1

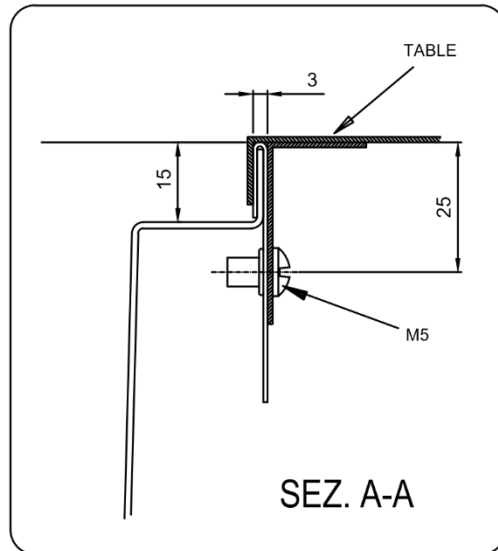
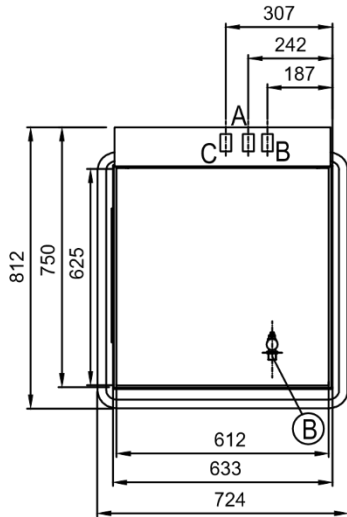
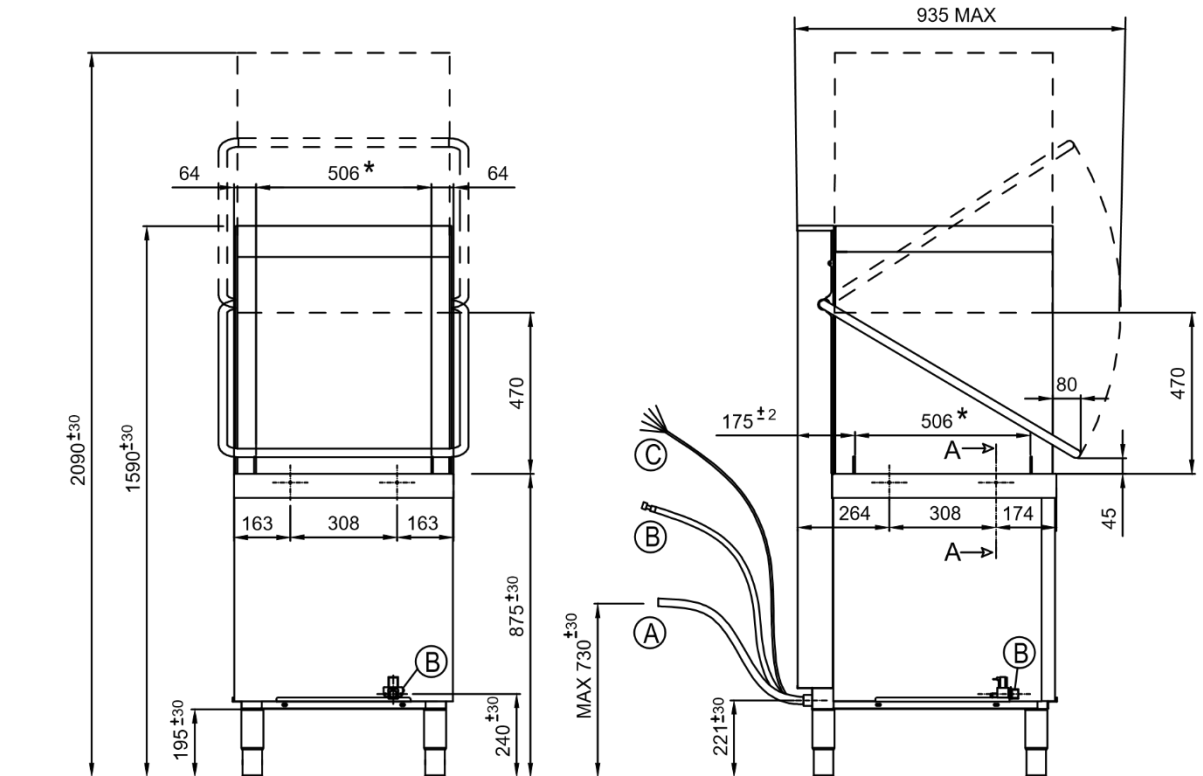
\*Minimum height (+60mm with adjustable feet)

†Minimum height with hood open (+60mm with adjustable feet)

# C201D 6.5kW 30Amp



**Buttress Group Ltd.**  
 Top Station Road, Brackley,  
 Northants NN13 7UG, UK



A		∅ 32 mm
B		G 3/4"
C		Power supply

\* Available space for basket on the basket carrier

All services must be within 1 metre

**T: 03451 308 070**  
**E: sales@maidaid-halcyon.co.uk**  
**Issue: 1.1**